

**UNION PACIFIC
RAILROAD COMPANY**



**PERISHABLE AND MANIFEST
TRAIN SCHEDULES**

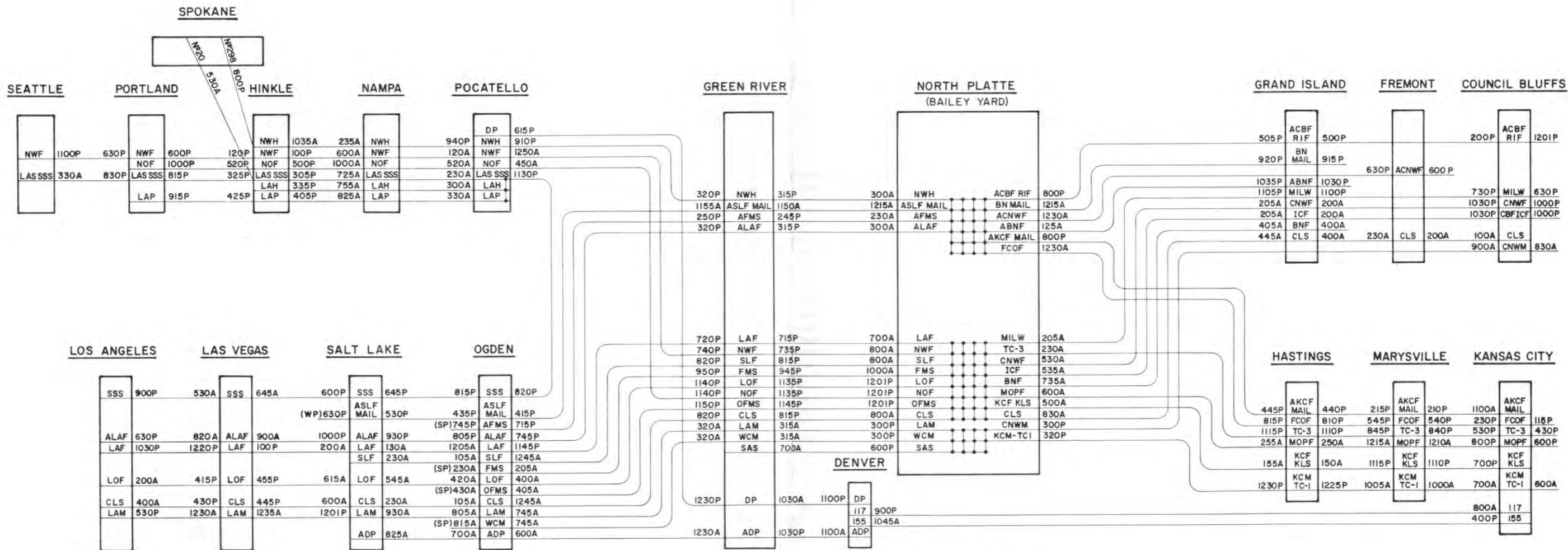
**SCHEDULE
NO. 23**

**Effective
October 1, 1971**

J. BOWEN
General Superintendent Transportation
Omaha, Nebraska

CHICAGO – ST. LOUIS – MEMPHIS – DECATUR TO LOS ANGELES – SAN FRANCISCO – PORTLAND – SPOKANE – SEATTLE

	ALAF	LAF	LOF	LAM	AFMS	FMS	OFMS	WCM	ASLF WMX	SLF AP	SLM AP	KLS CLS	NWH	NWF	NOF
ChicagoCT...(C&NW) ... Lv. (IC) Lv. (CRIP) Lv. (MILW) Lv. (BN) Lv.	2:00am (1) 3:00pm (0) 6:00am (1)	10:00am (1) 8:00am (1) 5:00am (1) 1:00pm (1)	10:00am (1) 8:00am (1) 5:00am (1) 1:00pm (1)		2:00am (1) 3:00pm (0) 9:00am (1)	10:00am (1) 8:00am (1) 5:00am (1) 1:00pm (1)	10:00am (1) 8:00am (1) 5:00am (1) 1:00pm (1)		2:00am (1) 3:00pm (0) 9:00am (1)	10:00am (1) 8:00am (1) 5:00am (1) 1:00pm (1)			2:00am (1) 3:00pm (0) 6:00am (1)	10:00am (1) 8:00am (1) 5:00am (1) 1:00pm (1)	10:00am (1) 8:00am (1) 5:00am (1) 1:00pm (1)
DecaturCT...(N&W) ... Lv.		4:30am (1)	4:30am (1)		1:30pm (0)	4:30am (1)	4:30am (1)			4:30am (1)	1:30pm (0)			4:30am (1)	4:30am (1)
St. LouisCT...(N&W) ... Lv.					8:30pm (0)						8:30pm (0)				
MemphisCT...(SLSF) ... Lv. (MP) Lv.	9:30pm (0)	10:30pm (0)	10:30pm (0)			10:30pm (0)	10:30pm (0)		9:30pm (0)	10:30pm (0)			9:30pm (0)	10:30pm (0)	10:30pm (0)
Kansas CityCT...(N&W) ... Lv. (SLSF) Lv. (MP) Lv. (YARD) Lv.	2:30pm (1) 11:00am (1)	5:30pm (1) 8:00pm (1)	5:30pm (1) 8:00pm (1)		7:00am (1) 11:00am (1)	5:30pm (1) 8:00pm (1)	5:30pm (1) 8:00pm (1)		7:00am (1) 2:30pm (1) 11:00am (1)	5:30pm (1) 8:00pm (1)		8:00pm (0)	2:30pm (1) 11:00am (1)	5:30pm (1) 8:00pm (1)	5:30pm (1) 8:00pm (1)
Council BluffsCT...(YARD) ... Lv. (IC) Lv. (CRIP) Lv. (MILW) Lv. (C&NW) Lv.	2:00 pm (1) 2:00pm (1)	10:30pm (1) 7:30pm (1) 10:30pm (1)	10:30pm (1) 7:30pm (1) 10:30pm (1)	6:00am (1) 9:00am (1)	2:00pm (1) 2:00pm (1)	10:30pm (1) 7:30pm (1) 10:30pm (1)	10:30pm (1) 7:30pm (1) 10:30pm (1)	6:00am (1) 9:00am (1)	2:00pm (1) 2:00pm (1)	10:30pm (1) 7:30pm (1) 10:30pm (1)	6:00am (1) 9:00am (1)	1:00am (1)	2:00pm (1) 2:00pm (1)	10:30pm (1) 7:30pm (1) 10:30pm (1)	10:30pm (1) 7:30pm (1) 10:30pm (1)
FremontCT...(C&NW) ... Lv.	6:30pm (1)				6:30pm (1)				6:30pm (1)			2:30am (1)	6:30pm (1)		
Grand IslandCT...(BN) Lv.	10:35pm (1)	4:05am (2)	4:05am (2)		9:20pm (1)	4:05am (2)	4:05am (2)		9:20pm (1)	4:05am (2)		4:45am (1)	10:35pm (1)	4:05am (2)	4:05am (2)
North PlatteMT Lv.	3:00am (2)	7:00am (2)	12:01pm (2)	3:00pm (1)	2:30am (2)	10:00am (2)	12:01pm (2)	3:00pm (1)	12:15am (2)	8:00am (2)	3:00pm (1)	8:00am (1)	3:00am (2)	8:00am (2)	12:01pm (2)
CheyenneMT Lv.	7:40am (2)	11:40am (2)	4:30pm (2)	7:40pm (1)	7:20am (2)	2:40pm (2)	4:40pm (2)	7:40pm (1)	4:45am (2)	12:40pm (2)	7:40pm (1)	12:40pm (1)	7:40am (2)	12:30pm (2)	4:30pm (2)
Green RiverMT Lv.	3:20pm (2)	7:20pm (2)	11:40pm (2)	3:20am (2)	2:50pm (2)	9:50pm (2)	11:50pm (2)	3:20am (2)	11:55am (2)	8:20pm (2)	3:20am (2)	8:20pm (1)	3:20pm (2)	7:40pm (2)	11:40pm (2)
OgdenMT Ar. Lv. (SP) Lv.	8:00pm (2) 8:05pm (2)	11:59pm (2) 12:05am (3)	4:15am (3) 4:20am (3)	8:00am (2) 8:05am (2)	7:45pm (2) 8:30pm (2)	2:30am (3) 3:00am (3)	4:30am (3) 5:00am (3)	8:15am (2) 8:30am (2)	4:30pm (2) 4:35pm (2)	1:00am (3) 1:05am (3)	8:00am (2) 8:05am (2)				
Salt LakeMT Ar. Lv. (WP) Lv.	9:30pm (2) 10:00pm (2)	1:30am (3) 2:00am (3)	5:45am (3) 6:15am (3)	9:30am (2) 12:01pm (2)					5:30pm (2) 6:30pm (2)	2:30am (3) 10:00am (3)	9:30am (2) 10:00am (3)	6:00am (2)			
ColtonPT Lv.	4:45pm (3)	8:45pm (3)	12:25am (4)	2:20pm (3)											
Los AngelesPT Ar.	6:30pm (3)	10:30pm (3)	2:00am (4)	5:30pm (3)								4:00am (3)			
OaklandPT Ar.					5:15pm (3)	9:15pm (3)		3:15am (3)							
San FranciscoPT Ar.					8:00pm (3)	11:59pm (3)		6:00am (3)	2:30pm (3)	10:00pm (4)	10:00pm (4)				
PocatelloMT Lv.													9:40pm (2)	1:20am (3)	5:20am (3)
HinklePT Lv.													Ar. 10:35am (3)	1:20pm (3)	5:20pm (3)
PortlandPT Ar. Lv.														6:00pm (3) 6:30pm (3)	10:00pm (3)
SpokanePT Ar.															
SeattlePT Ar.														11:00pm (3)	

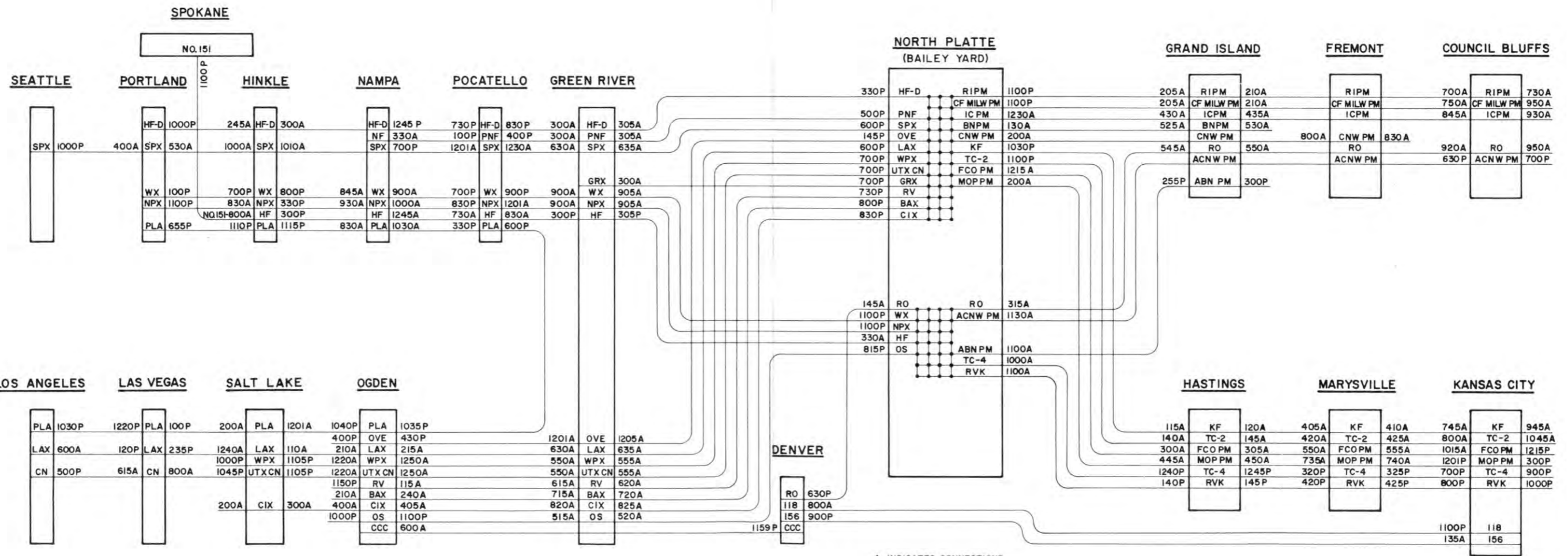


◆ INDICATES CONNECTIONS
 A - AM
 P - PM

OFFICE OF
 GENERAL SUPERINTENDENT OF TRANSPORTATION
 SCHEDULE CONTROL
 OMAHA, NEBRASKA
 OCTOBER 1, 1971

PACIFIC COAST TO CHICAGO – ST. LOUIS – MEMPHIS – DENVER

	OS	LAX	UTX-CN	PNF	BAX(SP)	CIX(WP)	RV	WP-WPX	OVE	SPX	HF	NPX	WX	HFD
SeattlePTLv.										10:00pm (0)				
PortlandPTLv.										5:30am (1)		11:00pm (0)	1:00pm (1)	10:00pm (0)
SpokanePTLv.											11:00pm (0)			
HinklePTLv.										10:10am (1)	3:00pm (1)	3:30pm (1)	8:00pm (1)	3:00am (1)
NampaPTLv.				3:30am (1)						7:00pm (1)	12:45am (2)	10:00am (2)	9:00am (2)	12:45pm (1)
PocatelloMTLv.				4:00pm (1)				Sacramento		12:30am (2)	8:30am (2)	12:01am (3)	9:00pm (2)	8:30pm (1)
EugenePT(SP)Lv.	11:59pm (1)							4:30pm (1)						
San FranciscoPT(SP)Lv.									2:00am (1)					
RosevillePT(SP)Lv.							10:00pm (1)							
OaklandPTLv.					1:00am (1)	2:00am (1)								
Los AngelesPTLv.		6:00am (1)	5:00pm (1)											
ColtonPTLv.		7:40am (1)	9:00pm (1)											
Salt LakeMTLv.		1:10am (2)	11:05pm (2)			3:00am (2)								
OgdenMTLv.	11:00pm (3)	2:15am (2)	12:50am (3)		2:40am (2)		1:15am (3)	12:50am (3)	4:30pm (2)					
RawlinsMTLv.	8:55am (4)	9:00am (2)	9:05am (3)	6:40am (2)	10:25am (2)	10:55am (2)	9:35am (3)	9:05am (3)	3:25am (3)	9:00am (2)	6:00pm (2)	12:40pm (3)	12:35pm (3)	6:00am (2)
North PlatteCT(BN)Lv.	11:00am (5)	1:30am (3)	1:30am (4)	1:30am (3)	1:30am (3)	1:30am (3)	1:30am (4)	1:30am (4)	1:30am (4)	1:30am (3)	11:00am (3)	11:00am (4)	11:00am (4)	1:30am (3)
(C&NW)Lv.	11:30am (5)	2:00am (3)	2:00am (4)	2:00am (3)	2:00am (3)	2:00am (3)	2:00am (4)	2:00am (4)	2:00am (4)	2:00am (3)	11:30am (3)	11:30am (4)	11:30am (4)	2:00am (3)
(CRIP)Lv.	11:00am (5)	11:00pm (2)	11:00pm (3)	11:00pm (2)	11:00pm (2)	11:00pm (2)	11:00am (3)	11:00pm (3)	11:00pm (3)	11:00pm (2)	11:00am (3)	11:00am (4)	11:00am (4)	11:00pm (2)
(IC)Lv.		12:30am (3)	12:30am (4)	12:30am (3)	12:30am (3)	12:30am (3)	12:30am (4)	12:30am (4)	12:30am (4)	12:30am (3)	12:30am (3)	12:30am (4)	12:30am (4)	12:30am (3)
(MILW)Lv.		11:00pm (2)	11:00pm (3)	11:00pm (2)	11:00pm (2)	11:00pm (2)	11:00pm (3)	11:00pm (3)	11:00pm (3)	11:00pm (2)	11:00pm (3)	11:00pm (4)	11:00pm (4)	11:00pm (2)
(N&W)Lv.	10:00am (5)	11:00pm (2)	11:00pm (3)	11:00pm (2)	11:00pm (2)	11:00pm (2)	11:00pm (3)	11:00pm (3)	11:00pm (3)	11:00pm (2)	10:00am (3)	10:00am (4)	10:00am (4)	11:00pm (2)
(SLSF)Lv.		12:15am (3)	12:15am (4)	12:15am (3)	12:15am (3)	12:15am (3)	12:15am (4)	12:15am (4)	12:15am (4)	12:15am (3)	12:15am (3)	12:15am (4)	12:15am (4)	12:15am (3)
(MP)Lv.		2:00am (3)	2:00am (4)	2:00am (3)	2:00am (3)	2:00am (2)	2:00am (4)	2:00am (4)	2:00am (4)	2:00am (3)	2:00am (3)	2:00am (4)	2:00am (4)	2:00am (3)
Grand IslandCTAr.	2:55pm (5)	5:25am (3)	5:25am (4)	5:25am (3)	5:25am (3)	5:25am (3)	5:25am (4)	5:25am (4)	5:25am (4)	5:25am (3)	2:55pm (3)	2:55pm (4)	2:55pm (4)	5:25am (3)
FremontCTAr.		8:30am (3)	8:30am (4)	8:30am (3)	8:30am (3)	8:30am (3)	8:30am (4)	8:30am (4)	8:30am (4)	8:30am (3)				8:30am (3)
Council BluffsCT(C&NW)Ar.	7:00pm (5)													
(YARD)Ar.	7:00pm (5)	7:50am (3)	7:50am (4)	7:50am (3)	7:50am (3)	7:50am (3)	7:50am (4)	7:50am (4)	11:59pm (3)	7:50am (3)	7:00pm (3)	7:00pm (4)	7:00pm (4)	7:50am (3)
(CRIP)Ar.	8:00pm (5)	7:30am (3)	7:30am (4)	7:30am (3)	7:30am (3)	7:30am (3)	7:30am (4)	7:30am (4)	7:30am (4)	7:30am (3)	7:00pm (3)	7:00pm (4)	7:00pm (4)	7:30am (3)
(IC)Ar.		9:30am (3)	9:30am (4)	9:30am (3)	9:30am (3)	9:30am (3)	9:30am (4)	9:30am (4)	9:30am (4)	9:30am (3)	8:00pm (3)	8:00pm (4)	8:00pm (4)	9:30am (3)
(MILW)Ar.		9:50am (3)	9:50am (4)	9:50am (3)	9:50am (3)	9:50am (3)	9:50am (4)	9:50am (4)	9:50am (4)	9:50am (3)				9:50am (3)
Kansas CityCT(YARD)Ar.	8:00pm (5)	7:45am (3)	7:45am (4)	7:45am (3)	7:45am (3)	7:45am (3)	7:45am (4)	7:45am (4)	7:45am (4)	7:45am (3)				7:45am (3)
(N&W)Ar.	9:00pm (5)	10:45am (3)	10:45am (4)	10:45am (3)	10:45am (3)	10:45am (3)	10:45am (4)	10:45am (4)	10:45am (4)	10:45am (3)	9:00pm (3)	9:00pm (4)	9:00pm (4)	10:45am (3)
(SLSF)Ar.		12:15pm (3)	12:15pm (4)	12:15pm (3)	12:15pm (3)	12:15pm (3)	12:15pm (4)	12:15pm (4)	12:15pm (4)	12:15pm (3)				12:15pm (3)
(MP)Ar.		3:00pm (3)	3:00pm (4)	3:00pm (4)	3:00pm (3)	3:00pm (3)	3:00pm (4)	3:00pm (4)	3:00pm (4)	3:00pm (3)				3:00pm (3)
ChicagoCT(BN)Ar.	1:00pm (6)	11:45pm (3)	11:45pm (4)	11:45pm (3)	11:45pm (3)	11:45pm (3)	11:45pm (4)	11:45pm (4)	11:45pm (4)	11:45pm (3)	1:00pm (4)	1:00pm (5)	1:00pm (5)	11:45pm (3)
(C&NW)Ar.	11:00am (6)	1:00am (4)	1:00am (5)	1:00am (4)	1:00am (4)	1:00am (4)	1:00am (5)	1:00am (5)	1:00am (5)	1:00am (4)	11:00am (4)	11:00am (5)	11:00am (5)	1:00am (4)
(CRIP)Ar.	1:30pm (6)	4:00am (4)	4:00am (5)	4:00am (4)	4:00am (4)	4:00am (4)	4:00am (5)	4:00am (5)	4:00am (5)	4:00am (4)	1:30pm (4)	1:30pm (5)	1:30pm (5)	4:00am (4)
(IC)Ar.		2:00am (4)	2:00am (5)	2:00am (4)	2:00am (4)	2:00am (4)	2:00am (5)	2:00am (5)	2:00am (5)	2:00am (4)				2:00am (4)
(MILW)Ar.		11:00pm (3)	11:00pm (4)	11:00pm (3)	11:00pm (3)	11:00pm (3)	11:00pm (4)	11:00pm (4)	11:00pm (4)	11:00pm (3)				11:00pm (3)
St. LouisCT(N&W)Ar.	6:00am (6)	9:00pm (3)	9:00pm (4)	9:00pm (3)	9:00pm (3)	9:00pm (3)	9:00pm (4)	9:00pm (4)	9:00pm (4)	9:00pm (3)	6:00am (4)	6:00am (5)	6:00am (5)	9:00pm (3)
DecaturCT(N&W)Ar.	10:00am (6)	7:30am (4)	7:30am (5)	7:30am (4)	7:30am (4)	7:30pm (4)	7:30am (5)	7:30am (5)	7:30am (5)	7:30am (4)	10:00am (4)	10:00am (5)	10:00am (5)	7:30am (4)
MemphisCT(SLSF)Ar.		3:00am (4)	3:00am (5)	3:00am (4)	3:00am (4)	3:00am (4)	3:00am (5)	3:00am (5)	3:00am (5)	3:00am (4)				
(MP)Ar.											12:01am (5)	12:01am (6)	12:01am (6)	3:00am (4)



+ INDICATES CONNECTIONS
 A - AM
 P - PM

OFFICE OF
 GENERAL SUPERINTENDENT OF TRANSPORTATION
 SCHEDULE CONTROL
 OMAHA, NEBRASKA
 OCTOBER 1, 1971

CALIFORNIA – PACIFIC NORTHWEST						
WESTWARD			Stations	EASTWARD		
SSS				PLA		
LAS	LAH	LAP				
9:00pm (1)			Lv. Los Angeles PT Ar.	10:30pm (3)		
6:45pm (2)			Lv. Salt Lake MT Lv.	2:00am (3)		
11:30pm (2) 2:30am (3)	3:00am (3)	3:30am (3)	Ar. Pocatello Lv. Lv. Pocatello	6:00pm (2)		
7:25am (3)	7:55am (3)	8:25am (3)	Lv. Nampa MT Lv.	10:30am (2)		
3:25pm (3)	Arrive 3:35pm (3)	4:25pm (3)	Lv. Hinkle PT Lv.	11:15pm (1)		
5:30am (4)			Ar. Spokane			
8:15pm (3) 8:30pm (3)		9:15pm (3)	Ar. Portland Lv. Lv. Portland	6:55pm (1)		
3:30am (4)			Ar. Seattle PT			

COUNCIL BLUFFS – KANSAS CITY						
WESTWARD		Stations	EASTWARD			
ACK	CK		AKO	KO		
5:00pm (0)	6:30am (1)		Lv. Council Bluffs CT Ar.	4:30am (1)	10:00am (1)	
6:00pm (0)	7:00am (1)	Lv. Omaha Lv.	3:30am (1)	9:00am (1)		
11:50pm (0)	10:30am (1)	Ar. Marysville Lv.	8:00pm (0)	2:15am (1)		
12:20am (1)	12:30pm (1)	Lv. Marysville Ar.	6:45pm (0)	1:45am (1)		
5:00am (1)	7:30pm (1)	Ar. Kansas City CT Lv.	1:00pm (0)	9:00pm (0)		

SALT LAKE – BUTTE					
WESTWARD		Stations	EASTWARD		
277	BFU		BUS-PSX	280	
11:00pm (0)	11:00am (1)		Lv. Salt Lake MT Ar.	12:01am (2)	7:00am (1)
12:30am (1) 1:40am (1)	12:30pm (1) 1:30pm (1)	Ar. Ogden Lv. Lv. Ogden Ar.	10:40pm (1) 10:35pm (1)	5:45am (1) 5:00am (1)	
9:30am (1) 3:00pm (1)	9:00pm (1)	Ar. Pocatello Lv. Lv. Pocatello Ar.	6:00pm (1) 2:00pm (1)	12:05am (1) 11:15pm (0)	
5:00pm (1) 5:30pm (1)		Ar. Idaho Falls Lv. Lv. Idaho Falls Ar.	11:00am (1) 10:00am (1)	9:00pm (0)	
8:30pm (1) 9:30pm (1)		Ar. Lima Lv. Lv. Lima Ar.	6:00am (1) 5:00am (1)		
7:00am (2)		Ar. Butte MT Lv.	10:00pm (0)		

KANSAS CITY – NORTH PLATTE – DENVER					
WESTWARD	Stations	EASTWARD			
KCM-COLO		RO			
7:00am (1)		Lv. Kansas City CT Ar.	8:00pm (1)		
10:00am (1) 10:05am (1)	Ar. Marysville Lv. Lv. Marysville Ar.	4:25pm (1) 4:20pm (1)			
3:20pm (1) 4:30pm (1)	Ar. North Platte CT Lv. Lv. North Platte MT Ar.	11:00am (1) 1:45am (1)			
11:59pm (1)	Ar. Denver MT Lv.	6:30pm (0)			

COUNCIL BLUFFS – NORTH PLATTE – DENVER					
WESTWARD	Stations	EASTWARD			
CBM-COLO		RO			
6:00am (1)		Lv. Council Bluffs CT Ar.	9:20am (1)		
9:20am (1) 9:25am (1)	Ar. Grand Island Lv. Lv. Grand Island Ar.	5:55am (1) 5:45am (1)			
12:30pm (1) 4:30pm (1)	Ar. North Platte CT Lv. Lv. North Platte MT Ar.	3:15am (1) 1:45am (1)			
11:59pm (1)	Ar. Denver MT Lv.	6:30pm (0)			

DENVER – POCATELLO – SALT LAKE					
WESTWARD		Stations	EASTWARD		
DP	ADP		CCC		
11:00pm (0)	11:00am (1)		Lv. Denver MT Ar.	12:01am (2)	
10:30am (1) 12:30pm (1)	10:30pm (1) 12:30am (2)	Ar. Green River Lv. Lv. Green River Ar.	11:10am (1) 11:00am (1)		
6:15pm (1) 7:00pm (1)	6:15am (2) 7:00am (2)	Ar. Ogden Lv. Lv. Ogden Ar.	6:00am (1)		
		Pocatello MT Lv.			
8:25pm (1)	8:25am (2)	Ar. Salt Lake MT Lv.			

KANSAS CITY – SALINA – DENVER					
WESTWARD		Stations	EASTWARD		
117	155		156	118	
8:00am (1)	4:00pm (0)		Lv. Kansas City CT Ar.	1:35am (2)	11:00pm (1)
12:50pm (1)	8:50pm (0)	Lv. Salina Lv.	7:00pm (1)	6:40pm (1)	
9:00pm (1)	10:45am (1)	Ar. Denver MT Lv.	9:00pm (0)	8:00am (1)	

EASTPORT – SPOKANE – PORTLAND					
WESTWARD	Stations	EASTWARD			
SI-9 151		198-298 SI-8			
4:00am (1)		Lv. Eastport PT Ar.	3:00am (2)		
9:00am (1) 11:00pm (1)	Ar. Spokane Lv. Lv. Spokane Ar.	9:00pm (1) 8:00pm (1)			
8:00am (2) 1:30pm (2)	Ar. Hinkle Lv. Lv. Hinkle Ar.	11:00am (1) 8:00am (1)			
5:00pm (2) 6:00pm (2)	Ar. The Dalles Lv. Lv. The Dalles Ar.	4:00am (1) 3:00am (1)			
11:00pm (2)	Ar. Portland PT Lv.	11:00pm (0)			

MANIFEST TRAIN SYMBOLS

WESTBOUND

ACK	Advance Council Bluffs — Kansas City
ADP	Advance Denver Pacific
AFMS	Advance Forwarder Merchandise Special
ALAF	Advance Los Angeles Forwarder
ASLF/WMX	Advance Salt Lake Forwarder/Western Merchandise Express
BFU	Butte Cleanup
CK	Council Bluffs — Kansas City
CLS/KLS	California Livestock/Kansas Livestock ①
DP	Denver Pacific
FMS	Forwarder Merchandise Special
KCM/COLO	Kansas City Manifest — Colorado
LAF	Los Angeles Forwarder
LAH	Los Angeles — Hinkle
LAM	Los Angeles Manifest
LAP	Los Angeles — Portland
LAS	Los Angeles — Seattle
LOF	Los Angeles Overtake Forwarder
NOF	Northwest Overtake Forwarder
NWH	Northwest Hinkle
NWF	Northwest Forwarder
OFMS	Overtake Forwarder Merchandise Special
SLF/AP	Salt Lake Forwarder/Auto Parts
SLM	Salt Lake Manifest
SSS	South Seattle Special
WCM	West Coast Manifest
No. 277	Salt Lake — Butte

EASTBOUND

AKO	Advance Kansas City — Omaha
BAX(SP)	Bay Area Manifest
BUS/PSX	Butte — Utah Stock/Pocatello South Manifest
CCC	Consolidated Coast to Colorado
CIX (WP)	California — Illinois Express
HF	Hinkle Fruit
HFD	Hinkle Fruit (originating Portland)
KO	Kansas City — Omaha
LAX	Los Angeles Manifest
NPX	North Platte Manifest East
OS	Oregon Special
OVE	Overland East Manifest
PLA	Portland — Los Angeles
PNF	Pocatello — Nampa Fruit
RO	Run-Off
RV	Roseville Fruit
SPX	Seattle Portland Manifest
UTX-CN	Utah Manifest/Colton Fruit
WP	Western Pacific
WX	Washington Manifest
No. 280	Idaho Falls — Salt Lake

① Handles stock only, through North Platte for West Coast destinations.

